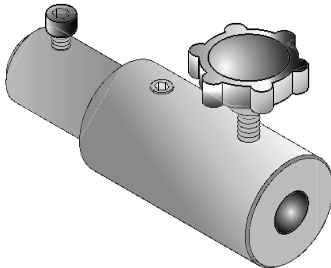


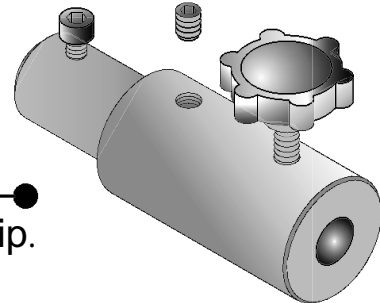
Step.1

Loosen Allen Screw.



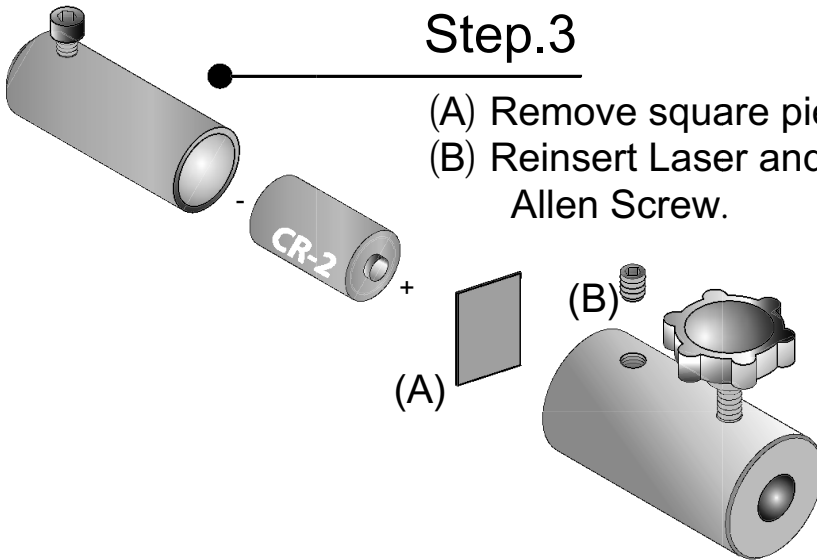
Step.2

Remove the laser tip.



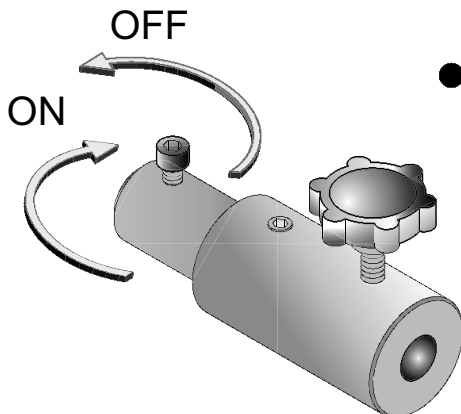
Step.3

(A) Remove square piece of paper.
(B) Reinsert Laser and Tighten the
Allen Screw.



Step.4

Turn on/off screw clockwise for
on and counterclockwise for off.



For more information:
www.golfmechanix.com

Additional instructions available
on TheGolfmechanix Channel



Laser Malfunction Diagnostic

